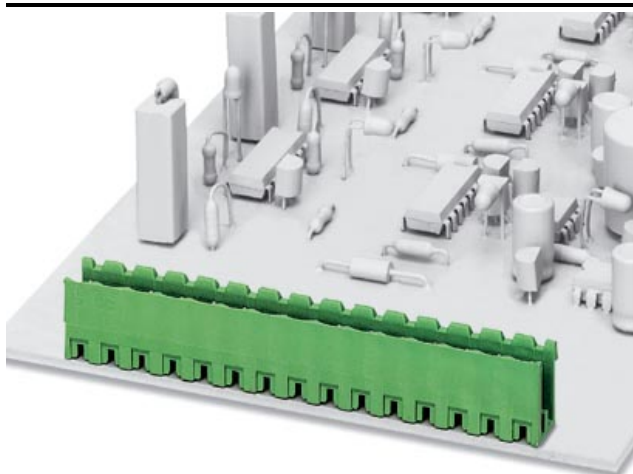


Please note that the data given here has been taken from the online catalog. For comprehensive information and data, please refer to the user documentation at <http://www.download.phoenixcontact.com>. The General Terms and Conditions of Use apply to Internet downloads.

## ► Extract from the online catalog



Header, nominal current: 12 A, rated voltage: 250 V,  
pitch: 5.0 mm, no. of positions: 10, mounting:  
Soldering

The illustration shows a 14-position version

Order No.	1753592
Ord designation	MSTBV 2,5/10-G
EAN	4017918028459
Pack	50 Pcs.
Customs tariff	85369010
Catalog page information	Page 168 (CC-2005)

## ► Technical data

### Dimensions / positions

Pitch	5 mm
Dimension a	45 mm
Number of positions	10
Pin dimensions	1 x 1 mm
Hole diameter	1.4 mm

### Technical data

---

Insulating material group	IIIa
Rated surge voltage (III/3)	4 kV
Rated surge voltage (III/2)	4 kV
Rated surge voltage (II/2)	4 kV
Rated voltage (III/2)	320 V
Rated voltage (II/2)	400 V
Connection in acc. with standard	EN-VDE
Nominal current $I_N$	12 A
Nominal voltage $U_N$	250 V
Maximum load current	12 A
Insulating material	PBT
Inflammability class acc. to UL 94	V0

---

**► Certificates**

---

**CSA**

Nominal voltage $U_N$	300 V
Nominal current $I_N$	10 A
AWG/kcmil	28-12

---

**CUL**

Nominal voltage $U_N$	300 V
Nominal current $I_N$	10 A
Nominal voltage $U_N$	250 V
Nominal current $I_N$	10 A

---

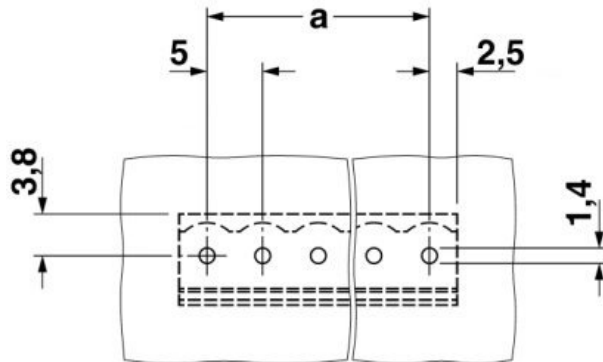
**UL**

Nominal voltage $U_N$	300 V
Nominal current $I_N$	10 A
Nominal voltage $U_N$	250 V
Nominal current $I_N$	10 A

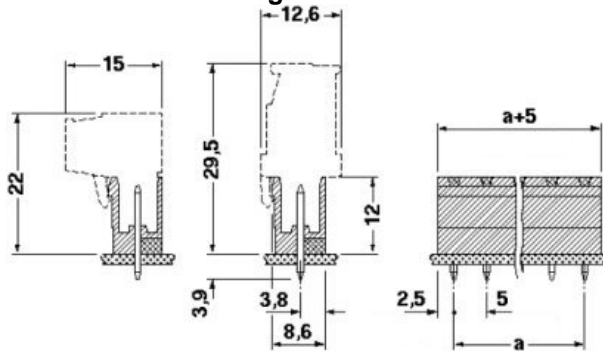
---

► Drawings

Drilling diagram



Dimensioned drawing



Approval logo



---

## ► Accessories

---

Item	Designation	Description
<b>Assembly</b>		
1755477	MSTB-BL	Keying cap, for forming sections, plugs onto header pin, green insulating material
<b>Marking</b>		
0804183	SK 5/3,8:FORTL.ZAHLEN	Marker card, printed horizontally, self-adhesive, 12 identical decades marked 1-10, 11-20 etc. up to 91-(99)100, sufficient for 120 terminal blocks
<b>Plug/Adapter</b>		
1734401	CR-MSTB	Coding element, inserted into the recess in the header or the inverted plug, red insulating material

---

## ► Additional products

Item	Designation	Description
<b>Assembly</b>		
1909294	FKCT 2,5/10-ST	Plug component, nominal current: 12 A, rated voltage: 250 V, pitch: 5.0 mm, no. of positions: 10, type of connection: Spring-cage connection
<b>General</b>		
1910432	FKC 2,5/10-ST	Plug component, nominal current: 12 A, rated voltage: 250 V, pitch: 5.0 mm, no. of positions: 10, type of connection: Spring-cage connection
1909799	FKCVR 2,5/10-ST	Plug component, nominal current: 12 A, rated voltage: 250 V, pitch: 5.0 mm, no. of positions: 10, type of connection: Spring-cage connection
1910115	FKCVW 2,5/10-ST	Plug component, nominal current: 12 A, rated voltage: 250 V, pitch: 5.0 mm, no. of positions: 10, type of connection: Spring-cage connection
1779495	FRONT-MSTB 2,5/10-ST	Plug component, nominal current: 12 A, rated voltage: 320 V, pitch: 5.0 mm, no. of positions: 10, type of connection: Screw connection
1754601	MSTB 2,5/10-ST	Plug component, nominal current: 12 A, rated voltage: 250 V, pitch: 5.0 mm, no. of positions: 10, type of connection: Screw connection
1759004	MSTB 2,5/10-STZ	Plug component, nominal current: 12 A, rated voltage: 250 V, pitch: 5.0 mm, no. of positions: 10, type of connection: Screw connection
1765852	MSTBP 2,5/10-ST	Plug component, nominal current: 12 A, rated voltage: 250 V, pitch: 5.0 mm, no. of positions: 10, type of connection: Screw connection
1779916	MSTBT 2,5/10-ST	Plug component, nominal current: 12 A, rated voltage: 250 V, pitch: 5.0 mm, no. of positions: 10, type of connection: Screw connection
1792090	MVSTBR 2,5/10-ST	Plug component, nominal current: 12 A, rated voltage: 250 V, pitch: 5.0 mm, no. of positions: 10, type of connection: Screw connection
1792605	MVSTBW 2,5/10-ST	Plug component, nominal current: 12 A, rated voltage: 250 V, pitch: 5.0 mm, no. of positions: 10, type of connection: Screw connection
1768833	SMSTB 2,5/10-ST	Plug component, nominal current: 12 A, rated voltage: 250 V, pitch: 5.0 mm, no. of positions: 10, type of connection: Screw connection

## ► Address

---

PHOENIX CONTACT GmbH & Co. KG  
Flachsmarktstr. 8  
32825 Blomberg  
Germany  
Phone +49 5235 3 00  
Fax +49 5235 3 41200  
<http://www.phoenixcontact.com>  
Phoenix Contact  
Technical modifications reserved;